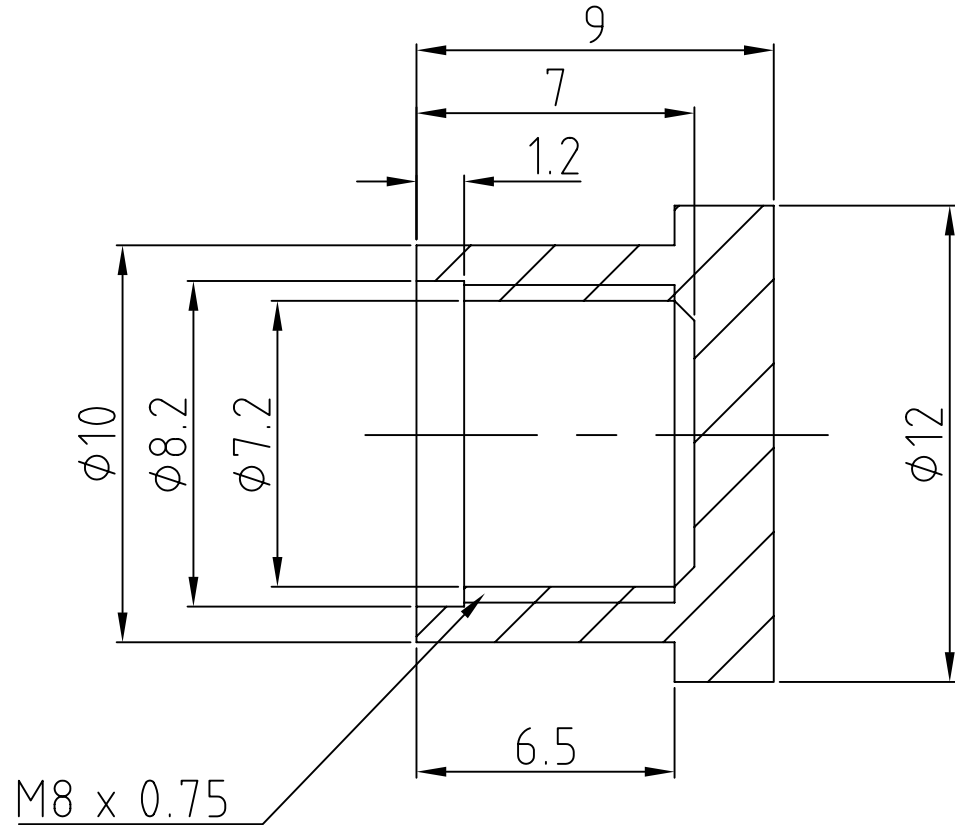
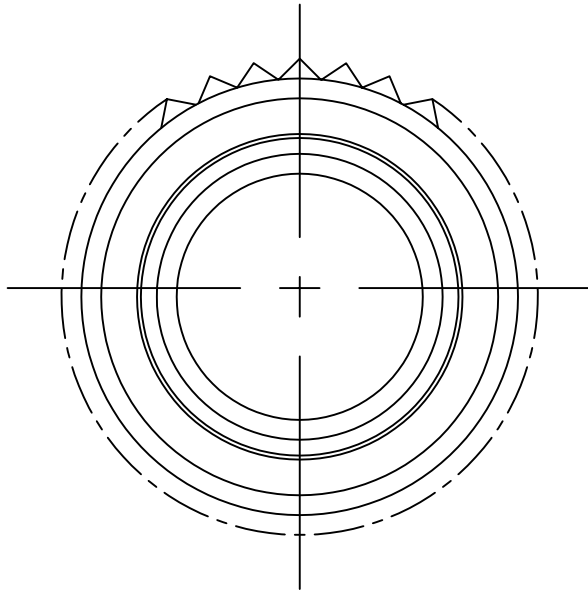


3rd ANG PROJECTION

ALL DIMS IN MM UNLESS STATED

| REV | DESCRIPTION        | DATE     | APPROVED |
|-----|--------------------|----------|----------|
| 1   | INITIAL ISSUE      | 14/08/96 | DNL      |
| 2   | MATL. SPEC. CHANGE | 19/12/01 | CN10     |



NOTES:

**EUROPLUS FIBRE OPTICS**  
 Thompson Drive, AIA, Rendlesham, Woodbridge, Suffolk IP12 2TW  
 Tel: (01394) 445100 Fax: (01394) 445109

|   |                                    |
|---|------------------------------------|
| GEN TOLS<br>0 = +/-0.5<br>0.0 = +/-0.3<br>0.00 = +/-0.1 | DESCRIPTION<br>FC PLASTIC DUST CAP |
|---|------------------------------------|

|                  |   |                      |             |              |           |              |      |
|------------------|---|----------------------|-------------|--------------|-----------|--------------|------|
| MATERIAL H.D.P.E | THIS DOCUMENT CONTAINS PROPRIETARY INFORMATION WHICH SHALL NOT BE REPRODUCED, TRANSFERRED TO OTHER DOCUMENTS, DISCLOSED TO OTHERS USED FOR MANUFACTURING OR ANY OTHER PURPOSE WITHOUT THE WRITTEN AUTHORISATION OF EUROPLUS FIBRE OPTICS Ltd. | DRAWN CDD            | DATE 150796 | SIZE         | FILE NAME | DWG. No      | REV. |
| FINISH CBGF      |   | CHKD DNL             | DATE 150796 |              | 0203003   | EFA02 03 003 | 2    |
| ICE No:          |   | DO NOT SCALE DRAWING | SCALE 5:1   | SHEET 1 of 1 |           |              |      |